

# User manual for Triac Dimmer

Single Pole&3 way LED Dimmer  
AC 120V 50~60Hz

150W for dimmable LED/CFL,600W for dimmable incandescent lamps

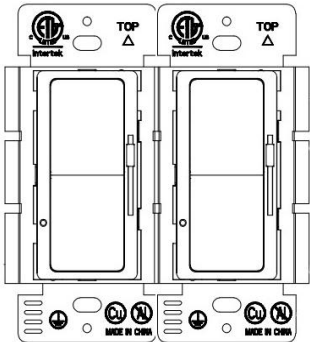
## Important Notes,Please read before installing.

- 1.Use only with 120V incandescent, CFL or LED light fixture.
- 2.Turn off power at circuit breaker or fuse before wiring.
- 3.Only 3-way switch can be used with 3-way dimmer
- 4.Use copper wire only
- 5.For supply connection, use wires rated for at least 75°C

**Caution-**To reduce the risk of overheating and possible damage to other equipment, do not install to control a receptacle, a motor-operated appliance or a fluorescent lighting fixture or a transformer supplied appliance.

## Multigang installations

In multi-dimmer installations, the capacity of dimmer is different, Refer to the below chart.



Each control has inside sections removed

Only incandescent dimmer rating:

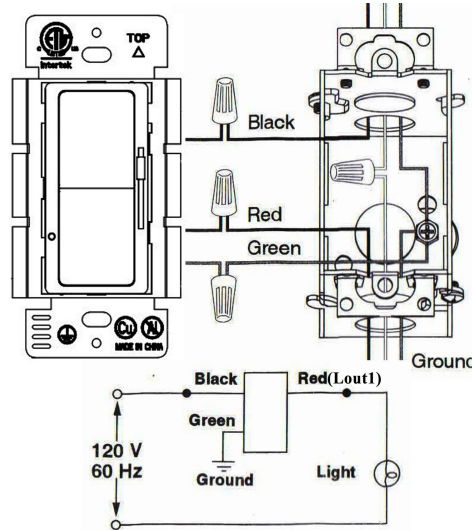
Cat. No.	Single gang rating	Double gang rating	Triple-gang rating
Slide/Decorator	600W	500W,500W	400W,400W,400W

## Installation

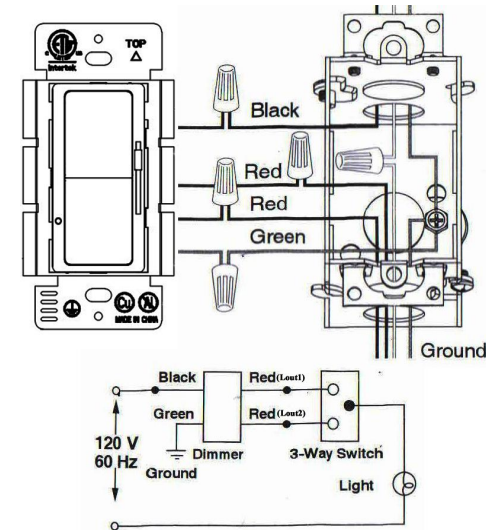
1. Turn power off

2. Wiring the dimmer

Single-pole Wiring:

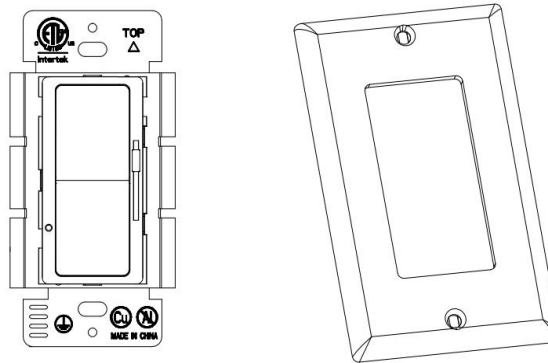


Three-way Wiring:



3. Mounting dimmer to wall box

Push wires carefully into the wall box,install wall plate.



4. Turn power on